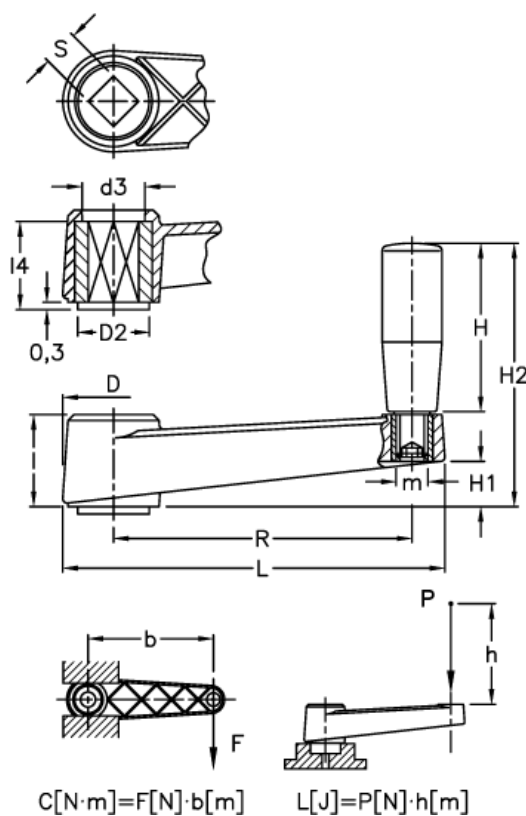


Data Sheet



Article number: 2301044211
Description: E+G Crank handle
MT.80 AS-10x10

Measures



$C (N \cdot m) = 180$	$L = 105$
$D = 30$	$L(J) = 15$
$d2 = 20$	$l4 = 22$
$d3 = 17$	$m = M6$
$H = 50$	$R = 80$
$H1 = 13$	$S H9 = 10 \times 10$
$H2 = 76$	
$l = 26$	